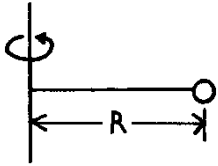
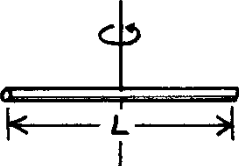
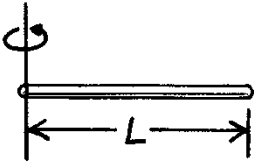
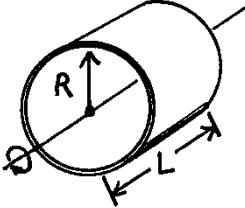
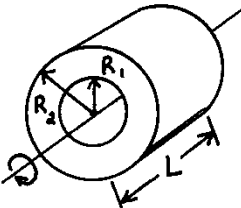
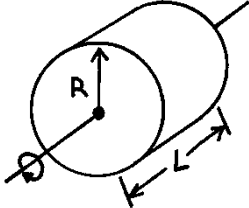
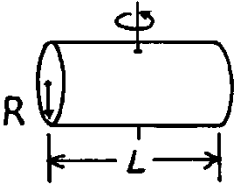
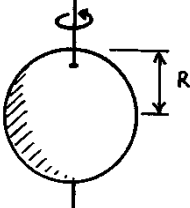
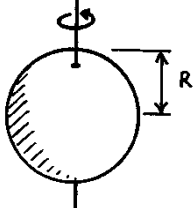
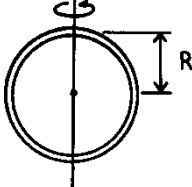
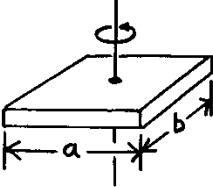
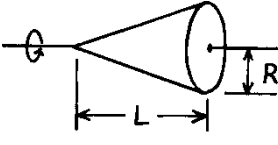


## Table of Selected Moments of Inertia

<p>Point mass at a radius R</p>  <p style="text-align: center;"><math>I = MR^2</math></p>	<p>Thin rod about axis through center perpendicular to length</p>  <p style="text-align: center;"><math>I = \frac{1}{12}ML^2</math></p>	<p>Thin rod about axis through end perpendicular to length</p>  <p style="text-align: center;"><math>I = \frac{1}{3}ML^2</math></p>
<p>Thin-walled cylinder about central axis</p>  <p style="text-align: center;"><math>I = MR^2</math></p>	<p>Thick-walled cylinder about central axis</p>  <p style="text-align: center;"><math>I = \frac{1}{2}M(R_1^2 + R_2^2)</math></p>	<p>Solid cylinder about central axis</p>  <p style="text-align: center;"><math>I = \frac{1}{2}MR^2</math></p>
<p>Solid cylinder about central diameter</p>  <p style="text-align: center;"><math>I = \frac{1}{4}MR^2 + \frac{1}{12}ML^2</math></p>	<p>Solid sphere about center</p>  <p style="text-align: center;"><math>I = \frac{2}{5}MR^2</math></p>	<p>Thin hollow sphere about center</p>  <p style="text-align: center;"><math>I = \frac{2}{3}MR^2</math></p>
<p>Thin ring about diameter</p>  <p style="text-align: center;"><math>I = \frac{1}{2}MR^2</math></p>	<p>Slab about perpendicular axis through center</p>  <p style="text-align: center;"><math>I = \frac{1}{12}M(a^2 + b^2)</math></p>	<p>Cone about central axis</p>  <p style="text-align: center;"><math>I = \frac{3}{10}MR^2</math></p>

Note: All formulas shown assume objects of uniform mass density.